

»SEMAFORO NEGRO 1 LUZ LED 120Ø R-V IP66 24V MARCA STAGNOLI
 MOD.CHRONOS 1.

CHRONOS



MADE IN ITALY

CÓDIGO	SKU	MODELO	DESCRIPCIÓN
LS-00108-00	CHR1LG	CHRONOS 1	SEMAFORO NGO 1 LUZ LED 120Ø A IP66 24V
LS-00109-00	CHR2LRV	CHRONOS 2	SEMAFORO NGO 2 LUZ LED 120Ø R-V IP66 24V
LS-00110-00	CHR3LRGV	CHRONOS 3	SEMAFORO NGO 3 LUCES LED 120Ø R-A-V IP66 24V



V10.23

(229) 461-7028

portonesautomaticos@adsver.com.mx
 portonesautomaticos@prodigy.net.mx

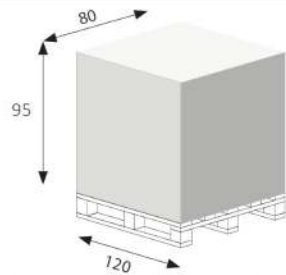


»SEMAFORO NEGRO 1 LUZ LED 120Ø R-V IP66 24V MARCA STAGNOLI
 MOD.CHRONOS 1.



Product	Code	Power supply V	Power W	Color	Number of lights	Brightness Lx	Working Temperature C°	Number of LED's by color	Ø Lens mm	Protection IP	Weight Kg	Pallet pcs.
	CHR1LG	24V ac/dc	2W	●	1	122Lx	-20+ +55+	18	120	66	1.54	72
	CHR1LR	230V ac	5W	●								
	CHR1LV		5W	●								
	CHR2LRV	24V ac/dc	2W	●	2	122Lx	-20+ +55+	18	120	66	2.40	48
		230V ac	5W	●								
	CHR3LRGV	24V ac/dc	2W	●	3	122Lx	-20+ +55+	18	120	66	3.28	36
		230V ac	5W	●								

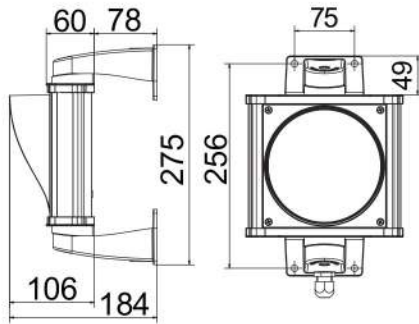
PALLET SIZE AND BULK



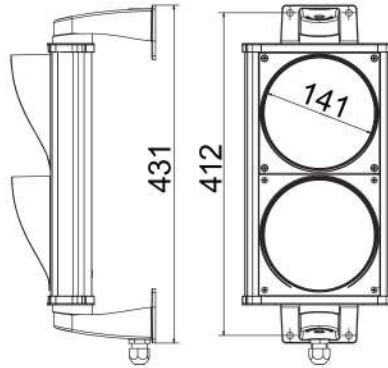
V10.23

»SEMAFORO NEGRO 1 LUZ LED 120Ø R-V IP66 24V MARCA STAGNOLI
 MOD.CHRONOS 1.

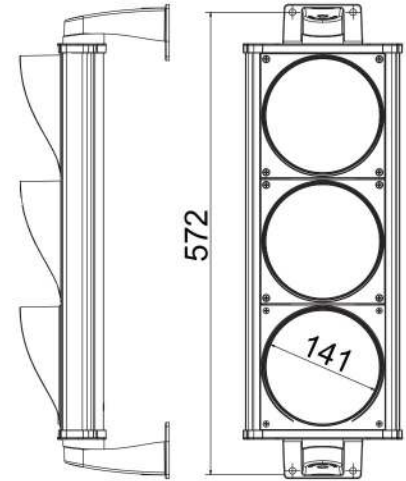
SIZE AND BULK



1-LIGHT TRAFFIC LIGHT



2-LIGHTS TRAFFIC LIGHT



3-LIGHTS TRAFFIC LIGHT

FIELDS OF APPLICATION



GARAGES



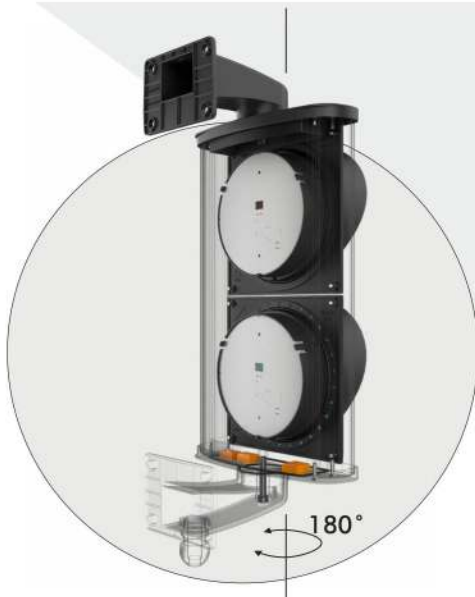
LOGISTICS



CAR PARK



»SEMAFORO NEGRO 1 LUZ LED 120Ø R-V IP66 24V MARCA STAGNOLI
 MOD.CHRONOS 1.



ROTATABLE AT 180° AND HIDDEN CABLE PASSAGE WITHIN THE BRACKET FOR MAXIMUM SAFETY.

CHRONOS

Composed of an aluminum profile, powder coated with internal reinforcements, technopolymer covers, for unsurpassed stiffness and mechanical resistance. Joint lens and sunshield, only one piece both waterproof and anti-leaking.



A multivoltage traffic light, easy to wire as it automatically detects the incoming voltage (from 24 to 230V), 18 LEDs per lamp for optimal brightness, possibility to remove the electronics from the front, for both repair and maintenance works.

ACCESSORIES



CHRSM

55mm short bracket kit, 5mm for Chronos.



AMPS

Pair of brackets for hooking the traffic light onto the pole.



APS

Galvanized pole (Ø 60mm) for traffic light support, length 3m.

